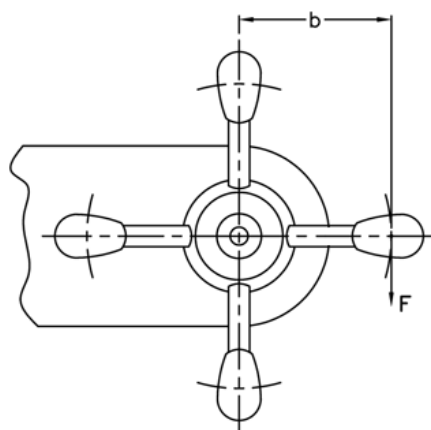
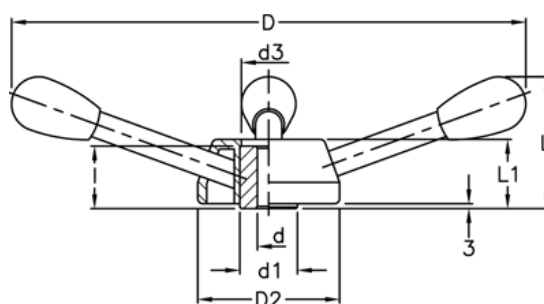


Data Sheet



Article number: 2301065921
Description: E+G Handwheel
VBR.4/320

Measures



$$C[N \cdot m] = F[N] \cdot b[m]$$

C (N m) = 195	L1 = 42
D = 312	
d1 = 35	
D2 = 86	
d3 = 34	
d H9 = 10	
l = 38	
L = 80	